

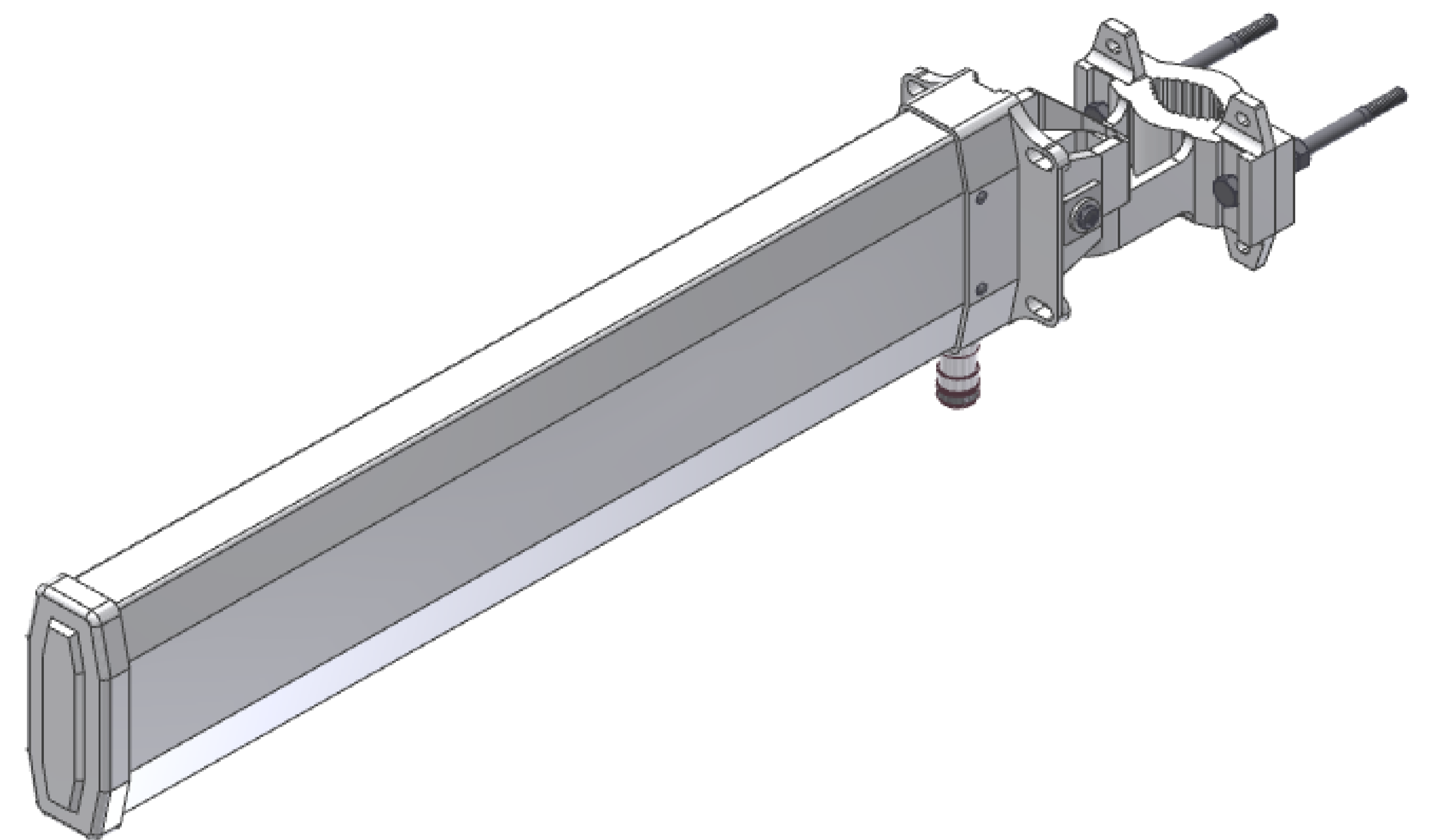
PCS & IMT Yagi Antenna

1750 ~ 2170 MHz / 12 dBi

PI-SDYG-12

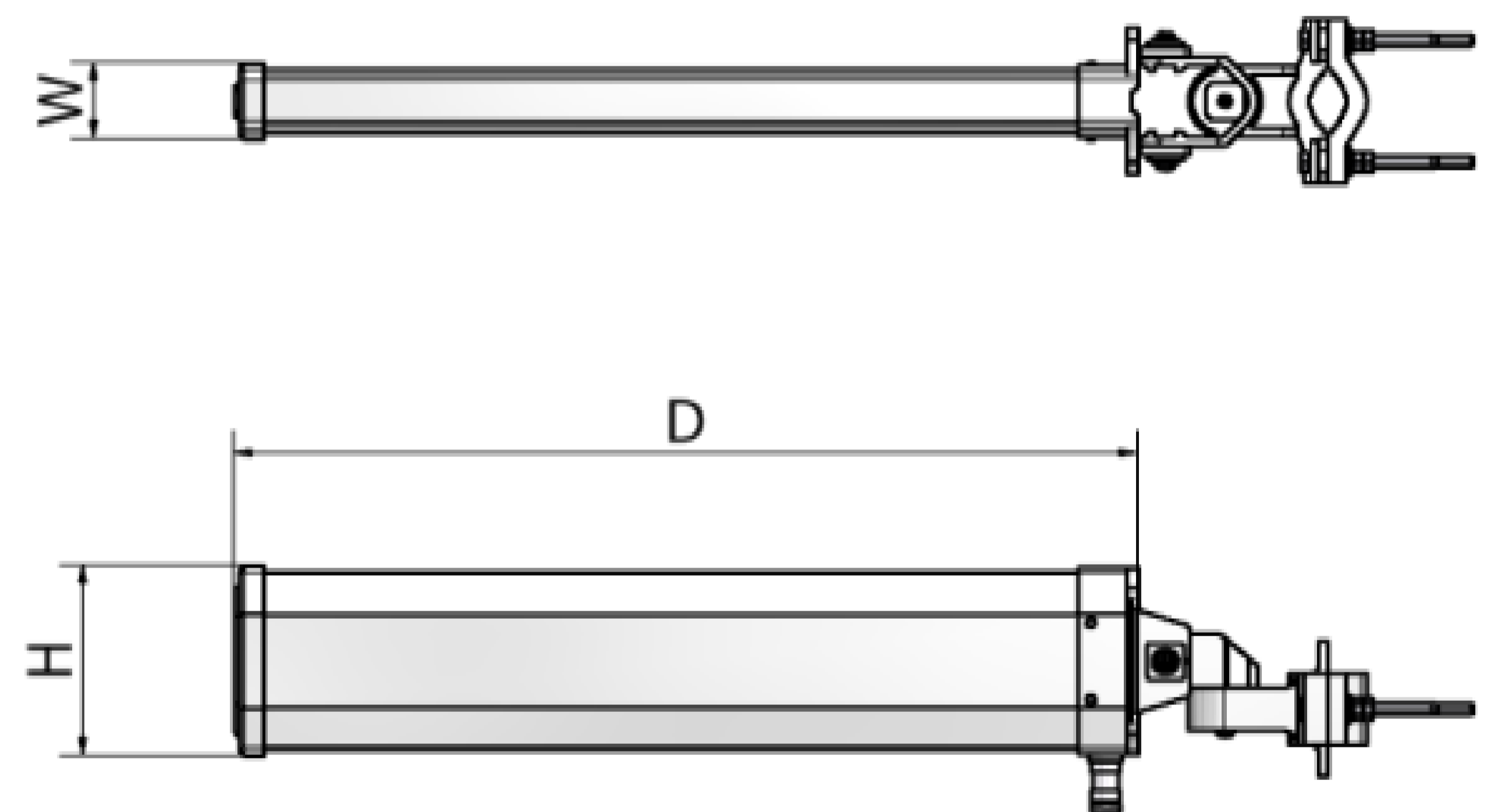
i. Electrical Specification

Frequency Range	1750 ~ 2170 MHz	
Polarization	Vertical	
Band Width	420 MHz	
Gain	≥ 12 dBi	
Beam width	Horizontal	≥ Nominal 28°
	Vertical	≥ Nominal 28°
F-B ratio	≥ 15 dB	
VSWR	1 : 1.5	
Impedance	50 Ω	
IMD	-	
Maximum input power	50 W	

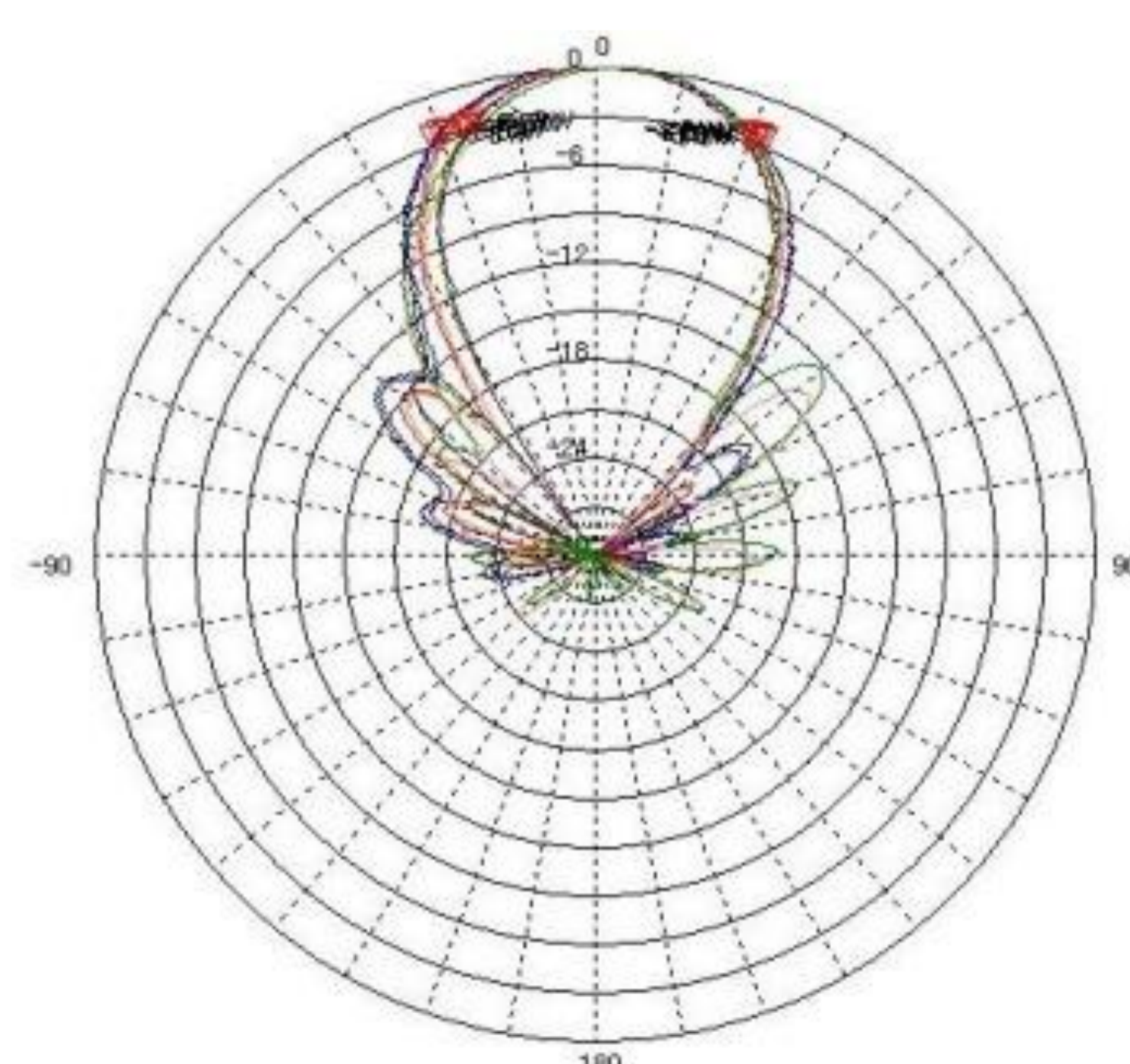


ii. Mechanical Specification

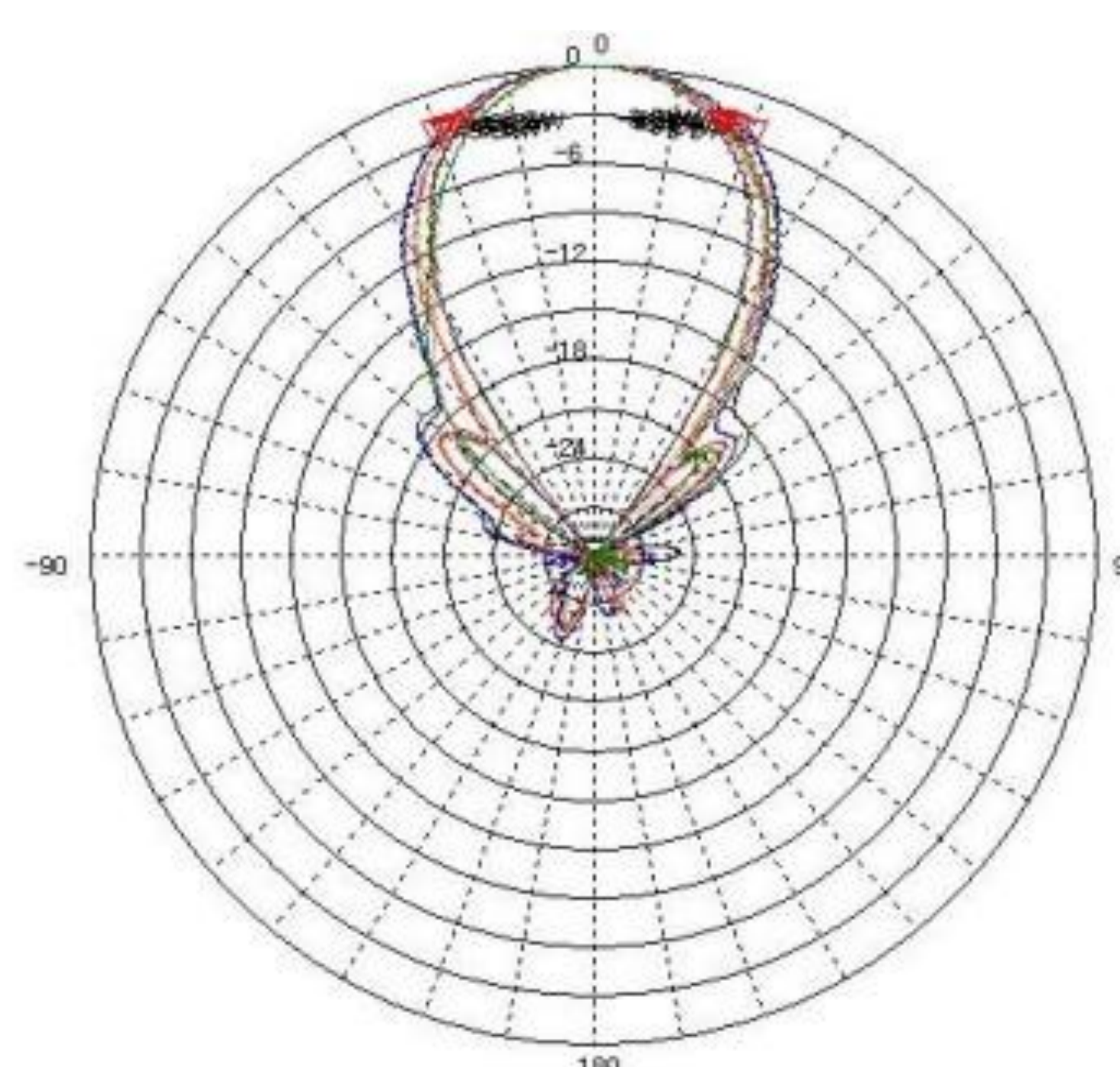
Radom Dimension (H x W x D)	100 x 40 x 500 mm	
Weight	1.5 kg	
Connector Type	N-Female	
Withstand Wind Pressure	60 m/sec	
Radome Material	ASA	
Radome Color	Cool Gray 1C	
Mechanical Down Tilt	Up, Down ± 30°	
	Left, Right ± 30°	
Temperature	-40 °C ~ 70 °C	
Packing Size (W x D x H)	-	
Packing Weight	-	



iii. Radiation Pattern



Horizontal Pattern



Vertical Pattern